



# Chevrolet Corvette 1997-2004 DP-3021B

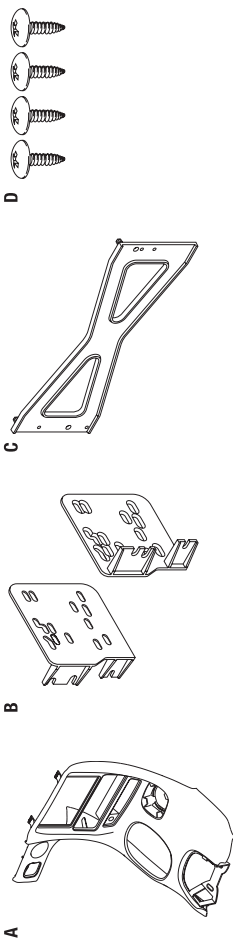
### KIT FEATURES

- ISO DDIN radio provision
- Pre-assembled cup holder
- Pre-assembled pocket w/factory 12v outlet provision
- **Painted black to match the factory dash**



### KIT COMPONENTS

- A) Radio dash panel • B) Radio brackets • C) Drill template • D) (4) #8 x 1/2" Phillips truss-head screws



### WIRING & ANTENNA CONNECTIONS (sold separately)

Wiring Harness: • XSVI-2004-NAV Antenna Adapter: 40-GM10

## Table of Contents

Dash Disassembly ..... 2-3  
 Kit Preparation ..... 4  
 Kit Assembly ..... 5

### TOOLS REQUIRED

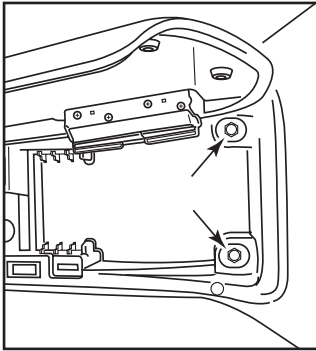
- Panel removal tool • Phillips screwdriver
- Metal cutting tool • 10mm socket wrench
- 9/32" socket wrench • T-15 Torx screwdriver
- 1/8" drill bit

**CAUTION!** All accessories, switches, climate controls panels, and especially air bag indicator lights must be connected before cycling the ignition. Also, do not remove the factory radio with the key in the on position, or while the vehicle is running.

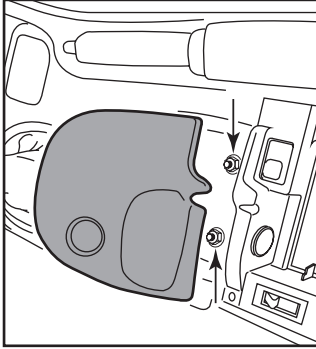
## Dash Disassembly

1. Open the center console door, remove the (2) nut covers and the (2) 10mm nuts exposed. (Figure A)
2. Pull up on the rear of the traction/ride control switch panel to release it, and then unplug and remove. (Figure B)
3. Remove the (2) 10mm nuts exposed. (Figure B)
4. Open the ashtray door, and then remove the (1) Phillips screws exposed. (Figure C)
5. Remove the ashtray, and then remove the (1) 9/32" screw exposed. (Figure C)

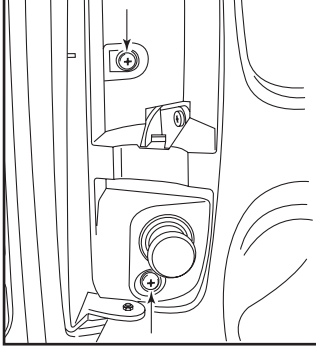
*Continued on the next page*



(Figure A)



(Figure B)



(Figure C)

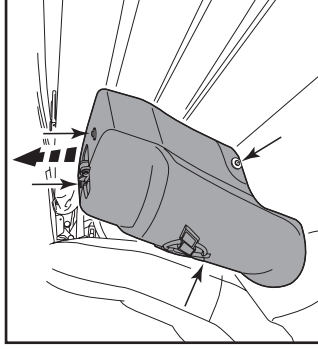
## Dash Disassembly

6. Unclip the small grille to the left of the ignition switch, and then remove the (1) 9/32" screw exposed. (Figure D)
7. Unclip the radio dash panel starting from the base of the center console, unplug the cigarette lighter, and then unclip and remove the entire panel. (Figure E)
8. Remove the (2) 9/32" screws securing the radio, and then unplug and remove.

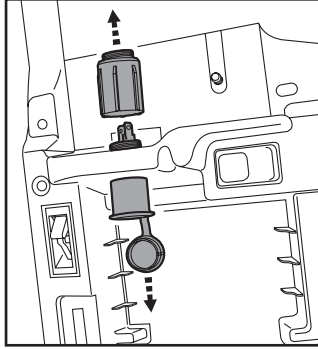
### Convertibles only:

Remove the (2) T-15 Torx screws from the top and the (2) T-15 Torx screws from the lower sides securing the center seat divider. Lift the seat divider straight up to remove it. (Figure F)

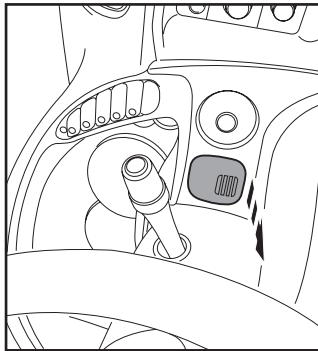
*Continue to Kit Preparation*



(Figure F)



(Figure E)

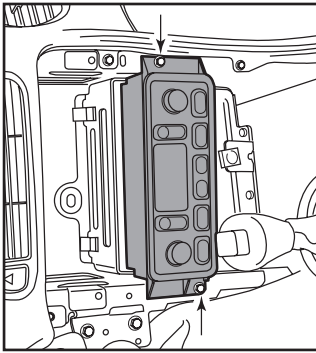


(Figure D)

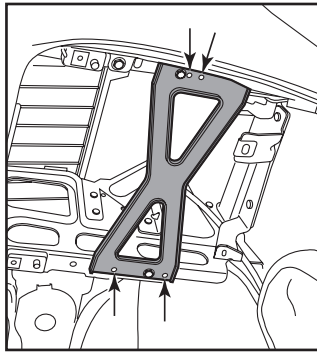
**Kit Preparation**

**Climate control sub-dash modification:**

1. Remove the (2) 9/32" screws securing the climate control panel and temporarily move it out of the way. No need to unplug it unless so desired. (Figure A)
2. Utilizing the large screw holes, temporarily secure the included drill template to the sub-dash using the factory hardware. (Figure B)
3. Drill a 1/8" hole in the (4) small screw holes, and then remove the template. (Figure B)



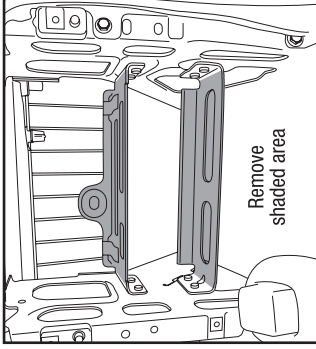
(Figure A)



(Figure B)

4. Cut and remove the metal climate control and radio support brackets to allow clearance for the aftermarket radio. (Figure C)
5. Utilizing the new holes drilled in step 3, secure the climate control panel to the sub-dash using the (2) #8 x 1/2" Phillips truss-head screws provided.

*Continue to Kit Assembly*

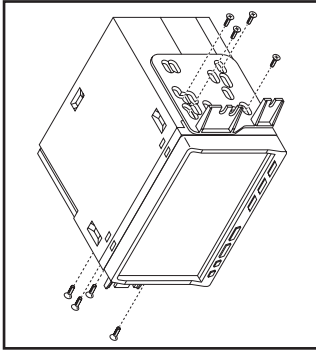


(Figure C)

## Kit Assembly

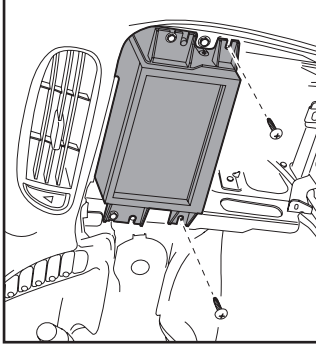
### ISO DDIN radio provision

1. Attach the *radio brackets* to the radio using the screws supplied with the radio. (Figure A)
2. Locate the factory wiring harness and antenna connector in the dash and complete all necessary connections to the radio. Metra recommends using the proper mating adapter from Metra and/or Axxess. Test the radio for proper operation.



(Figure A)

3. Using the upper brackets in the completed assembly, secure it to the dash using the factory screws. (Figure B)
4. Drill an 1/8" hole in the (2) remaining screw holes in the lower brackets, and then use the (2) #8 x 1/2" Phillips truss-head screws provided to fully secure the radio. (Figure B)
5. Reassemble the dash in reverse order of disassembly using the radio dash panel.



(Figure B)







INSTALLATION INSTRUCTIONS FOR PART DP-3021B



**IMPORTANT**

*If you are having difficulties with the installation of this product, please call our Tech Support line at 1-800-253-TECH. Before doing so, look over the instructions a second time, and make sure the installation was performed exactly as the instructions are stated. Please have the vehicle apart and ready to perform troubleshooting steps before calling.*



**KNOWLEDGE IS POWER**

Enhance your installation and fabrication skills by enrolling in the most recognized and respected mobile electronics school in our industry. Log onto [www.installerinstitute.com](http://www.installerinstitute.com) or call 800-334-6782 for more information and take steps toward a better tomorrow.



**Metra recommends MECP certified technicians**