



Ford Mustang (with 4.2" screen) 2015-2017

Visit MetraOnline.com for more detailed information about the product and up-to-date vehicle specific applications

KIT FEATURES

- ISO DIN radio provision with pocket
- ISO DDIN radio provision
- Touchscreen display for climate and personalization features
- Painted charcoal

KIT COMPONENTS

- A) Radio trim panel with touchscreen display • B) Radio brackets • C) SYNC module brackets • D) Pocket • E) Engine start/stop circuit board and cover
- F) Engine start/stop trim • G) (4) #8 x 3/4" Phillips pan-head screws • H) (4) #8 x 3/8" Phillips truss-head screws • I) (6) #4 x 1/2" Phillips pan-head screws
- J) (4) Panel clips • K) USB cable • L) HVAC interface and wiring harness (not shown) • M) Antenna adapter (not shown)

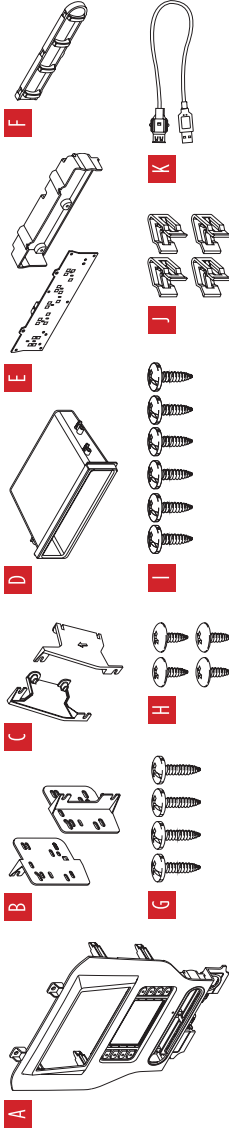


TABLE OF CONTENTS

Dash Disassembly	2-4
Kit Preparation.....	5-7
Kit Assembly	
-ISO DIN radio provision with pocket.....	8
-ISO DDIN radio provision.....	8
Access interface installation.....	9-17
Final Assembly.....	13

WIRING & ANTENNA CONNECTIONS

Wiring Harness: Access interface built into touchscreen

Antenna Adapter: Included with kit

TOOLS REQUIRED

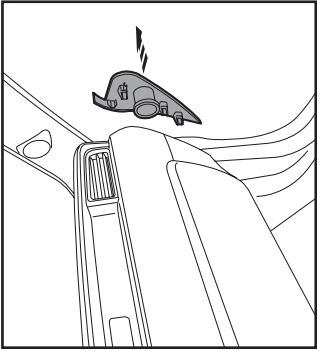
- Panel removal tool • Phillips screwdriver
- 9/32" socket wrench • Cutting tool
- Torx T-10 screwdriver

Attention! Let the vehicle sit with the key out of the ignition for a few minutes before removing the factory radio. When testing the aftermarket equipment, ensure that all factory equipment is connected before cycling the key to ignition.

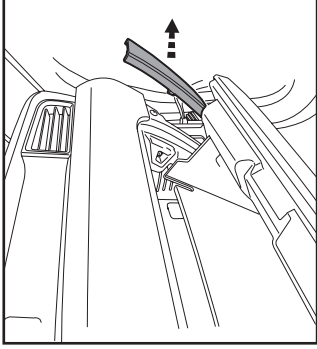
DASH DISASSEMBLY

1. Open the passenger door and remove the trim panel from the side of the dash. (Figure A)
2. Open the glove box and remove the trim panel on the right side. (Figure B)
3. Unclip and remove the trim/vent dash panel. (Figure C)

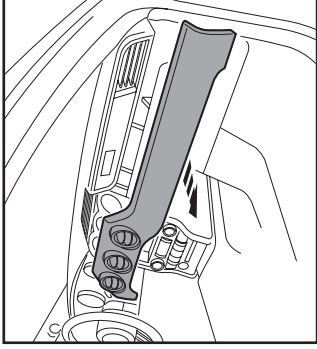
Continued on the next page



(Figure A)



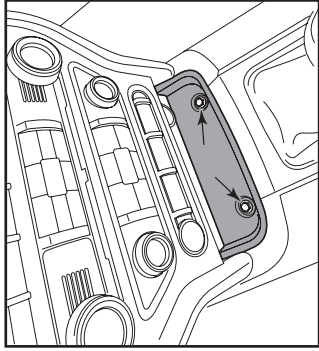
(Figure B)



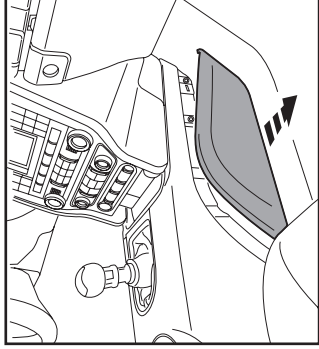
(Figure C)

4. Remove the rubber tray cover in front of the shifter, and then remove the (2) 9/32" screws exposed. (Figure D)
5. Unclip and remove the front side panels from each side of the center console. (Figure E)
6. Remove the (2) 9/32" screws from each side of the center console. (Figure F)

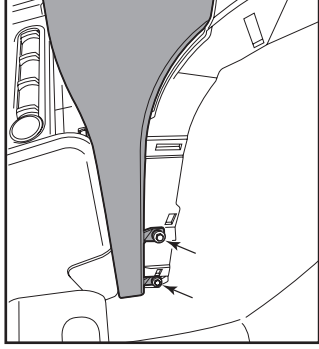
Continued on the next page



(Figure D)



(Figure E)



(Figure F)

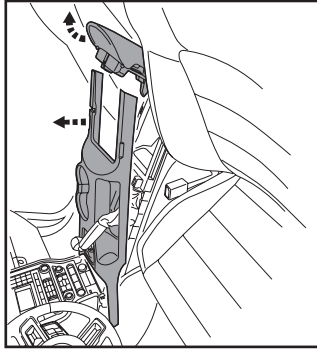
7. Unclip the shifter trim bezel and slightly pull it up to clear the center console trim bezel removal.

8. Open the center console storage compartment. Unclip the center console trim bezel, then slide it toward the rear of the vehicle to remove it. (Figure G)

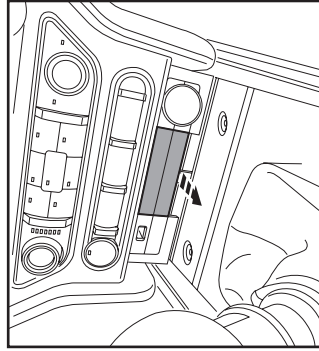
Note: The complete center console does not need to be removed, but if it is desired to be removed, the **Push-to-Start** module must be connected when testing the kit.

9. Remove the plastic tray in front of the shifter.

10. Remove the center plastic trim (knockout) between the power outlet and USB jack. (Figure H)



(Figure G)



(Figure H)

Ensure that the vehicle is completely off before proceeding onto the following (4) steps:

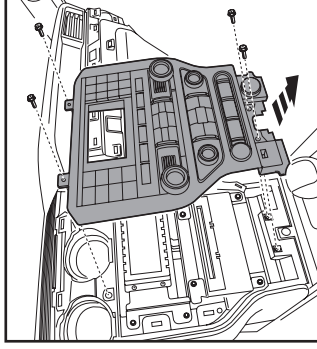
11. Remove the (4) 9/32" screws securing the radio/climate control panel, and then unclip, unplug, and remove. (Figure I)

12. Remove the (4) 9/32" screws securing the display screen, then unplug and remove. (Figure J)

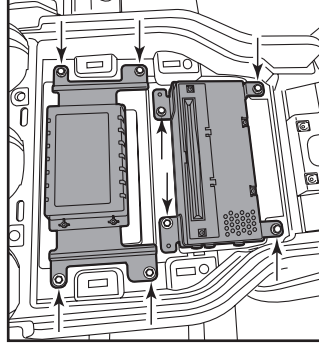
13. Remove the (4) 9/32" screws securing the radio chassis, then unplug and remove. (Figure J)

14. If the vehicle is equipped with SYNC, remove the (3) 9/32" screws securing the SYNC® module, then unplug and remove.

Continue to Kit Preparation

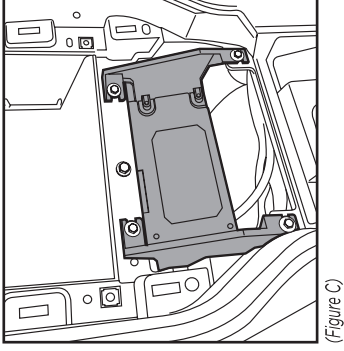
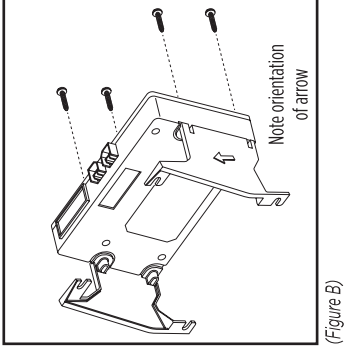
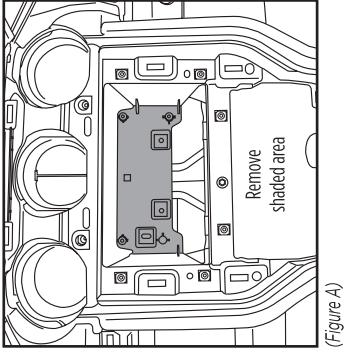


(Figure I)



(Figure J)

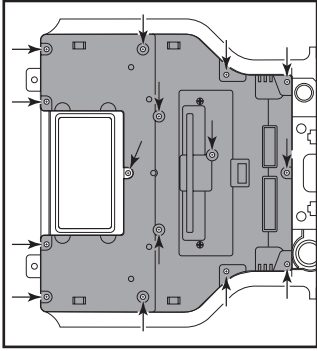
1. Cut and remove the shaded area from the sub-dash to allow clearance for the aftermarket radio. (Figure A)
2. **If SYNC is desired to be retained:**
Attach the **SYNC module brackets** to the factory SYNC module using the (4) #8 x 3/4" Phillips pan-head screws provided. (Figure B)
3. Re-connect all factory connectors back into the SYNC module, and then secure the module into the lower sub-dash using the factory hardware removed in step 13. (Figure C)



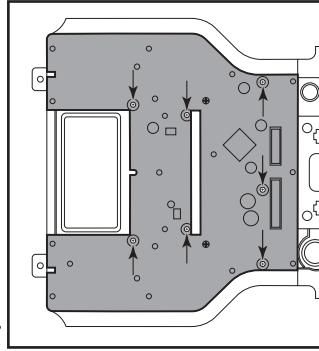
Continued on the next page

From the factory radio/climate control panel:

1. Remove the (15) T-10 Torx screws securing the plastic panel cover to the rear of the panel, and then remove. (Figure A)
2. Remove the (7) T-10 Torx screws securing the circuit board, and then remove. (Figure B)

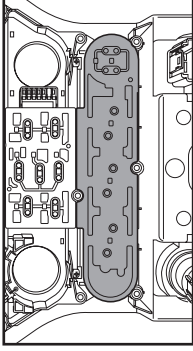


(Figure A)

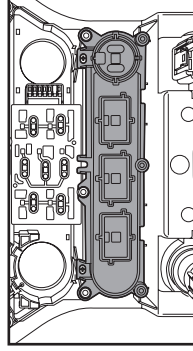


(Figure B)

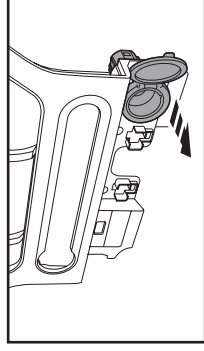
3. Remove the rubber button membrane from the back of the engine start/stop switch panel. (Figure C)
4. Remove the engine start/stop switch panel. (Figure D)
5. Press in on the (Z) retaining tabs inside the power outlet to remove the inner portion, and then unsnap the outer ring and cover. (Figure E)



(Figure C)



(Figure D)

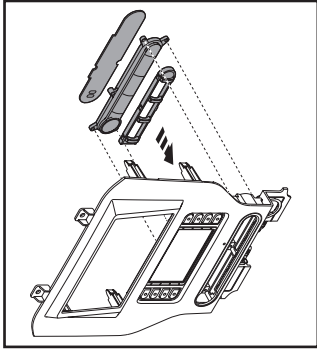


(Figure E)

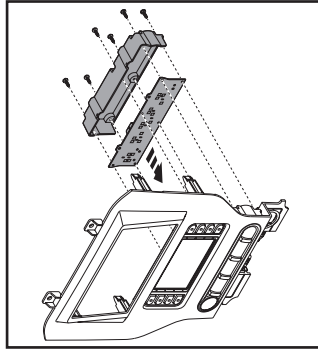
Continued on the next page

To the 99-5838CH radio trim panel:

1. Attach the **engine start/stop trim**, **engine start/stop switch panel**, and then the rubber button membrane. (Figure A)
2. Secure the engine start/stop circuit board and cover to the switch/cover assembly using the (6) #4 x 1/2" Phillips pan-head screws provided. (Figure B)

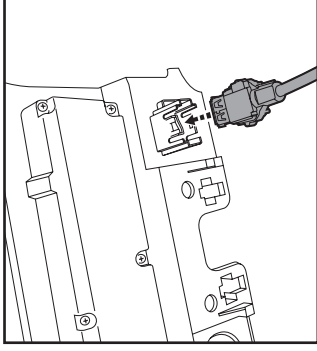


(Figure A)



(Figure B)

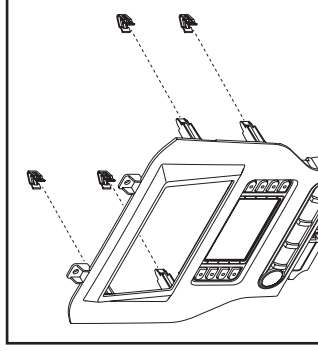
3. Insert the **USB cable** into the USB slot, through the rear. (Figure C)



(Figure C)

4. Attach the (4) **panel clips** provided. (Figure D)

Continue to Kit Assembly

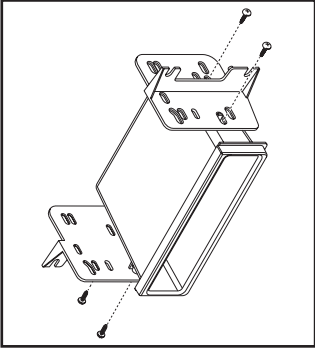


(Figure D)

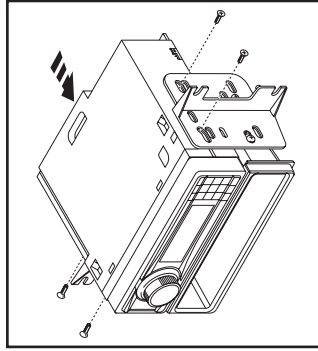
ISO DIN radio provision with pocket

1. Secure the **radio brackets** to the **pocket** using the (4) #8 x 3/8" Phillips truss-head screws provided. (Figure A)
2. Remove the metal DIN sleeve and trim ring from the aftermarket radio.
3. Slide the radio into the bracket/pocket assembly, and then secure it using the screws supplied with the radio. (Figure B)

Continue to Access Interface Installation



(Figure A)

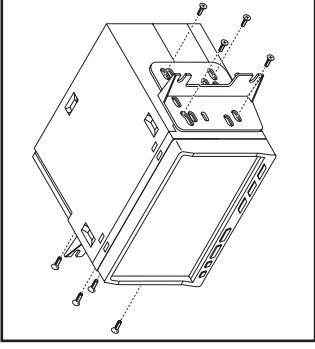


(Figure B)

ISO DDIN radio provision

1. Secure the **radio brackets** to the radio using the screws supplied with the radio. (Figure A)

Continue to Access Interface Installation



(Figure A)

INTERFACE FEATURES

- Provides accessory power (12-volt 10-amp)
- Retains R.A.P. (retained accessory power)
- Provides NAV outputs (parking brake, reverse, speed sense)
- Retains audio controls on the steering wheel
- Retains SYNC
- Retains the factory backup camera
- Retains balance and fade
- Micro-B USB updatable

INTERFACE COMPONENTS

- Axcess interface (built into the touchscreen display)
- 5838 harness
- HVAC interface
- HVAC interface harness
- 16-pin harness with stripped leads
- 12-pin backup camera harness
- 4-pin harness with yellow RCA jacks
- Female 3.5mm connector with stripped leads

TABLE OF CONTENTS

Connections.....	10-11
Installation	12
Programming.....	13
Extra features (SYNC).....	13
Touchscreen display operation.....	14-15
Steering wheel control settings	16-17
Troubleshooting.....	17

TOOLS REQUIRED

- Crimping tool and connectors, or solder gun, solder, and heat shrink
- Tape • Wire cutter • Zip ties

From the 16-pin harness with stripped leads to the aftermarket radio:

- Connect the **Red** wire to the accessory wire.
 - If the aftermarket radio has an illumination wire, connect the **Orange/White** wire to it.
 - If the aftermarket radio has a mute wire and the vehicle is equipped with SYNC, connect the **Brown** wire to it. If the mute wire is not connected, the radio will turn off when SYNC is activated.
 - Connect the **Gray** wire to the right front positive speaker output.
 - Connect the **Gray/Black** wire to the right front negative speaker output.
 - Connect the **White** wire to the left front positive speaker output.
 - Connect the **White/Black** wire to the left front negative speaker output.
- The following (3) wires are only for multimedia/navigation radios that require these wires.*
- Connect the **Blue/Pink** wire to the VSS/speed sense wire.
 - Connect the **Green/Purple** wire to the reverse wire.
 - Connect the **Light Green** wire to the parking brake wire.

- Tape off and disregard the following (5) wires, they will not be used in this application.

Blue/White, Green, Green/Black, Purple, Purple/Black

From the 5838 harness to the aftermarket radio:

- Connect the **Black** wire to the ground wire.
- Connect the **Yellow** wire to the battery wire.
- Connect the **Blue** wire to the power antenna wire.
- Connect the **Green** wire to the left rear positive speaker output.
- Connect the **Green/Black** wire to the left rear negative speaker output.
- Connect the **Purple** wire to the right rear positive speaker output.
- Connect the **Purple/Black** wire to the right rear negative speaker output.
- If the vehicle is equipped with SYNC, connect the **Red** and **White** RCA jacks labeled "RSE/SYNC/SAI" to the audio AUX-IN jacks of the aftermarket radio.
- Disregard the **Red** and **White** RCA jacks labeled "FROM 3.5", they will not be used in this application.

Continued on the next page

3.5mm jack - steering wheel control retention:

The 3.5mm jack is to be used to retain audio controls on the steering wheel control.

- **For the radios listed below:** Connect the included **female 3.5mm connector with stripped leads**, to the male 3.5mm SWC jack from the **5838 harness**. Any remaining wires tape off and disregard:
 - **Eclipse:** Connect the steering wheel control wire, normally **Brown**, to the **Brown/White** wire of the connector. Then connect the remaining steering wheel control wire, normally **Brown/White**, to the **Brown** wire of the connector.
 - **Metra OE:** Connect the steering wheel control Key 1 wire (**Gray**) to the **Brown** wire.
 - **Kenwood or select JVC with a steering wheel control wire:** Connect the **Blue/Yellow** wire to the **Brown** wire.
- **Note:** If your **Kenwood** radio auto detects as a **JVC**, manually set the radio type to **Kenwood**. See the instructions under changing radio type.
- **XITE:** Connect the steering wheel control SWC-2 wire from the radio to the **Brown** wire.
- **Parrot Asteroid Smart or Tablet:** Connect the 3.5mm jack into the AX-SWC-PARROT (sold separately), and then connect the 4-pin connector from the AX-SWC-PARROT into the radio.
- **Note:** The radio must be updated to rev. 2.1.4 or higher software.
- **Universal "2 or 3 wire" radio:** Connect the steering wheel control wire, referred to as Key-A or SWC-1, to the **Brown** wire of the connector. Then connect the remaining steering wheel control wire, referred to as Key-B or SWC-2, to the **Brown/White** wire of the connector. If the radio comes with a third wire for ground, disregard this wire.
- **Note:** After the interface has been programmed to the vehicle, refer to the manual provided with the radio for assigning the SWC buttons. Contact the radio manufacturer for more information.
- **For all other radios:** Connect the 3.5mm jack into the port on the radio designated for an external steering wheel control interface. Refer to the manual provided with the radio if in doubt as to where the 3.5mm jack goes to.

12-pin backup camera harness:

There are two different methods for connecting the factory backup camera.

If retaining the camera to the aftermarket radio is desired:

- Connect the **Yellow** RCA jack the backup camera input of the aftermarket radio.

If retaining the camera to the touchscreen display is desired:

- Connect the **Yellow** RCA jack, to the **Yellow** RCA jack from the **4-pin harness with yellow RCA jacks** labeled "Rearview camera".

Note: If this method is chosen, the backup camera option must be enabled in the **Configuration Settings**.

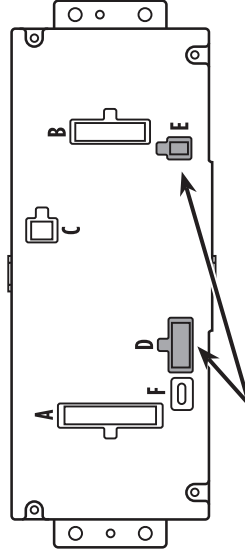
- Disregard the **Yellow** RCA jack labeled "AUX video", it will not be used in this application.

It is highly advisable to read the following steps beforehand, to ensure a clear understanding of what is to be expected. The following steps must be done in the order that they are numbered.

With the vehicle completely off:

Touchscreen display

1. Connect the **16-pin harness with stripped leads** into port "B" in the touchscreen display.
2. Connect the **5838 harness** to the wiring harnesses in the vehicle. These harnesses are the ones removed in step 13 of dash disassembly. Then insert the **5838 harness** into port "A" in the touchscreen display. But do not install this harness until exactly before step 1 of the **Programming section**. This is a timed process.
3. Connect the **4-pin harness with yellow RCA jacks** into port "C" in the touchscreen display.
4. Disregard ports "D" and "E", they will not be used in this application.
5. Port "F" is an update port for future firmware upgrades.



Note: DO NOT CONNECT!

HVAC interface

6. Connect the **HVAC interface harness** into the **HVAC interface**, and then to the wiring harnesses in the vehicle. These harnesses are the ones removed in step 11 of dash disassembly.
 - a. Then connect the 10-pin harness into the engine start/stop circuit board assembly.

Attention! There are (2) 10-pin connectors, one in the engine start/stop circuit board assembly, and one in the touchscreen display. Use only the appropriate connector and disregard the other one. If the incorrect port is accidentally used, the vehicle will need to be reset by removing the battery for a couple minutes.
7. **Note:** Disregard the 4-pin flat to 4-pin stacked harness, it will not be used in this application.
8. Connect the 6-pin harness from the **5838 harness** to the **HVAC interface**.
9. Connect the **12-pin backup camera harness**, to the wiring harness in the vehicle. This harness is the one removed in step 12 of dash disassembly.
10. Locate the factory antenna connector in the dash and complete all necessary connections to the radio. Use the antenna adapter provided to adapt the factory antenna connector to the aftermarket radio.

Continued on the next page

1. Refer to step 2 from the **Installation** section.
2. Press the push-to-start button to start the vehicle.
Note: If the Push-to-Start module in the center console has been disconnected, reconnect it.
3. Program the kit:
 - a. Once the touchscreen display loads up, select the vehicle type.
 - b. Wait until the radio comes on, and the touchscreen display shows **SWC Configured**. This process may take up to 3 minutes.

Note: If the touchscreen display does not load up, or the radio doesn't come on within 3 minutes, and/or the touchscreen display does not show **SWC Configured**, check all connections, then reset the interface and try again. Refer to the **Troubleshooting** section.

4. Cycle the key off. If the driver's door is closed, open and close the door. Cycle the key back on.
5. Test all functions of the installation for proper operation, before reassembling the dash.

1. Connect the **USB cable** attached to the **radio trim panel with touchscreen display**, to the USB port in the back of the radio, if applicable.
2. Secure the completed assembly into the upper dash using the factory hardware removed in step 12 of dash disassembly.
3. Snap the **radio trim panel with touchscreen display** over the completed assembly, and then reassemble the dash in reverse order of disassembly.

EXTRA FEATURES

SYNC:

If the vehicle is equipped with SYNC, the 99-5838CH can retain this feature.

1. Change the source of the radio to AUX-IN.
2. Press the **Info** button on the touchscreen display to enter the SYNC menu.
3. Press the climate control icon to get back to the main menu.

Climate Control screen

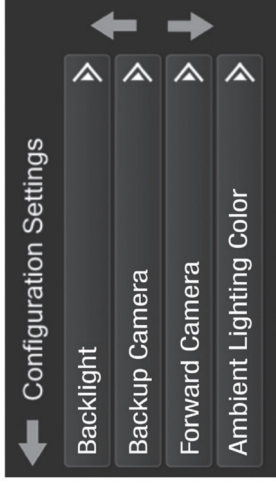


- This is the climate control screen which will be displayed on the touchscreen display. This is considered the **Main Menu**.
- Disregard the upper left tab with (3) arrows, it will not be used in this application.
- The upper right tab with the gear icon will take you to the **Configuration Settings** screen.
- The climate controls will function in the same manner that they did with the factory climate controls, yet via touchscreen buttons instead. The temperature control will display a numerical scale, with "L0" being the coldest, and "H1" being the hottest: L0 / 1-9 / H1

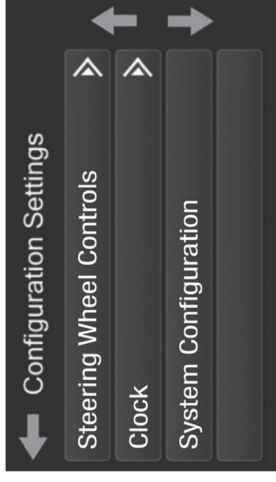
Note: The "info" button will only be shown if SYNC is to be retained.

Continued on the next page

Configuration Settings

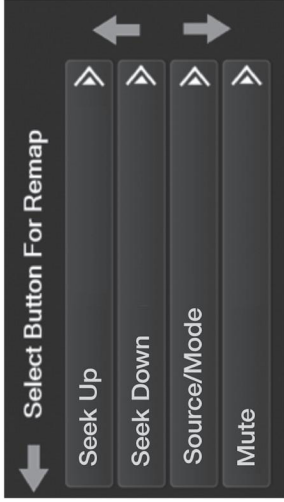


- **Backlight**
 - For controlling the color of the buttons and back-light intensity.
- **Backup Camera**
 - Enable/disables the backup camera image to the touchscreen display. Disabled by default.
- **Forward Camera** (disregard for this application)
- **Ambient Lighting Color**
 - For adjusting the ambient light color in the vehicle



- **Steering Wheel Controls**
 - Remap Buttons – For remapping the steering wheel control buttons
 - Dual Assign – For dual assigning the steering wheel control buttons (long button press)
 - Select Radio – For auto detecting the radio, or changing the radio type
- **Clock**
 - For setting the clock and hour mode
- **System Configuration**
 - About - Information regarding the software in the kit
 - Temperature Unit - To change between Celsius and Fahrenheit
 - Digital Amp Gain - For adjusting the output gain to the amplifier
 - Reset Vehicle Type - To reset the kit to default settings

Remap Buttons



- The interface has the ability to change the button assignment for the steering wheel control audio buttons, except Volume-Up and Volume-Down. Follow the prompts on the touchscreen display to remap the steering wheel control audio button(s) to your liking.
Note: The aftermarket radio may not have all of these commands. Please refer to the manual provided with the radio, or contact the radio manufacturer, for specific commands recognized by that particular radio.

Dual Assign



- The interface has the capability to assign two functions to a single button, except Volume-Up and Volume-Down. Follow the prompts on the touchscreen display to program the button(s) to your liking.
Note: Seek-Up and Seek-Down come programmed as Preset-Up and Preset-Down for a long button press.

Continued on the next page

Select Radio



- To show which brand radio is “auto detected” to the interface, press the “Autodetect” button. The radio detected will have a filled in circle. If the incorrect radio is shown, select the proper radio.
- Following is a list of radio manufacturers that the interface presently acknowledges. Others may be added at a later date. Universal “2 or 3 wire” radios can show up as any of these radio manufacturers.

Eclipse (Type 1) †	JVC	Clarion (Type 2) †	Parrot **
Kenwood ‡	Pioneer/Jensen	Metra OE	XITE
Clarion (Type 1) †	Alpine *	Eclipse (Type 2) †	Philips
Sony / Dual	Visteon	LG	JBL
	Valor		

* **Note:** If the interface shows an Alpine radio, and you do not have an Alpine radio, that means the interface does not detect a radio connected it, i.e., an open connection. Verify that the 3.5mm jack is connected to the correct steering wheel jack/wire in the radio.

** **Note:** The AX-SWC-PARROT is required (sold separately). Also, the Parrot radio must be updated to rev. 2.1.4 or higher through www.parrot.com.

† **Note:** If you have a Clarion radio and the steering wheel controls do not work, change the radio type to the other Clarion radio type; same for Eclipse.

‡ **Note:** If you have a Kenwood radio and the touchscreen display shows a JVC radio, change the radio type to Kenwood.

TROUBLESHOOTING

Resetting the interface

1. With the vehicle running, press the **Reset Vehicle Type** button mentioned in **System Configuration**.
2. Refer to **Programming**, step 2, from this point.



Handwriting practice lines consisting of two columns of horizontal lines.



99-5838CH
INSTALLATION INSTRUCTIONS



If you are having difficulties with the installation of this product, contact our Tech Support line either by phone at **1-800-253-TECH**, or email at **techsupport@metra-autosound.com**. Before doing so, look over the instruction booklet a second time and ensure that the installation was performed exactly as the instruction booklet is stated. Have the vehicle apart and ready to perform troubleshooting steps before contacting Metra/Access Tech Support.



KNOWLEDGE IS POWER
Enhance your installation and fabrication skills by enrolling in the most recognized and respected mobile electronics school in our industry. Log onto www.installerinstitute.com or call 800-894-6782 for more information and take steps toward a better tomorrow.



Metra recommends MECP certified technicians



Ford Mustang (con pantalla de 4,2") 2015-2017

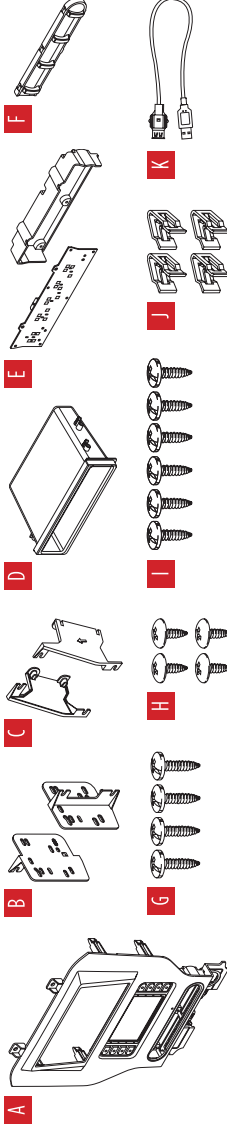
Visite MetraOnline.com para obtener información más detallada sobre el producto y aplicaciones actualizadas específicas para vehículos.

CARACTERÍSTICAS DEL KIT

- Provisión de radio ISO DIN con cavidad
- Provisión de radio ISO DDIN
- Pantalla táctil para el clima y características de personalización
- Pintura gris oscuro

COMPONENTES DEL KIT

- A) Panel de la moldura del radio con pantalla táctil • B) Soportes del radio • C) Soportes del módulo SYNC • D) Cavidad • E) Tablero de circuitos para encender/apagar el motor y cubierta • F) Moldura para encender/apagar el motor • G) (4) Tornillos Phillips #8 de 3/4" de cabeza troncoconica
- H) (4) Tornillos Phillips #8 de 3/8" de cabeza segmentada • I) (6) Tornillos Phillips #4 de 1/2" de cabeza troncoconica • J (4) Ganchos para panel
- K) Cable USB • L) Interfaz y arnés de cableado HVAC • M) Adaptador de antena (no se muestra)



INDICE

Desmontaje del tablero	2-4
Preparación del kit.....	5-7
Ensamble del kit	
– Provisión de radio ISO DIN con cavidad.....	8
– Provisión de radio ISO DDIN.....	8
Instalación de la interfase Axxess.....	9-17
Montaje final.....	13

CABLEADO Y CONEXIONES DE ANTENA

Arnés de cables: Interfaz Axxess incorporada en pantalla táctil
Adaptador de antena: Incluido con kit

HERRAMIENTAS REQUERIDAS

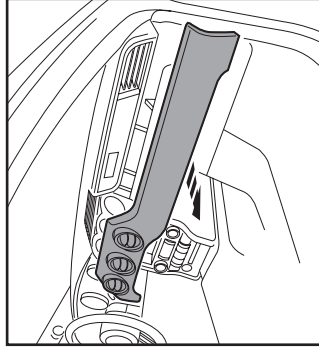
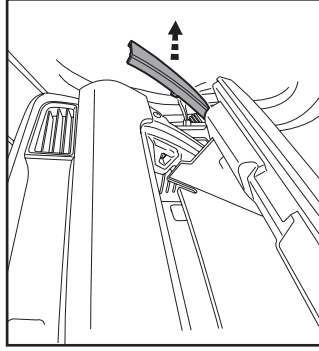
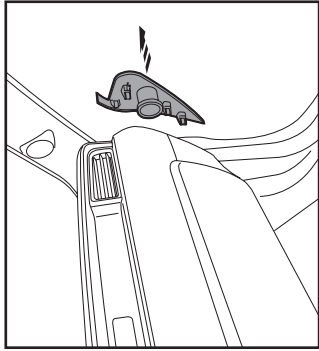
- Herramienta para quitar paneles
- Destornillador Phillips • Llave del tubo 9/32"
- Destornillador Torx T-10 • Herramienta para cortar

¡Precaución! Todos los accesorios, interruptores, paneles de controles de clima y especialmente las luces del indicador de las bolsas de aire deben estar conectados antes de ciclar la ignición. Además, no quite el radio de fábrica con la llave en la posición o de encendido ni con el vehículo funcionando.

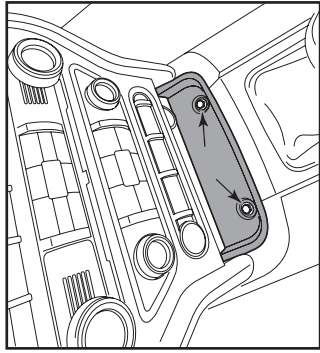
DESMONTAJE DEL TABLERO

1. Abra la puerta del pasajero y quite el panel de la moldura en el lado del tablero. (Figura A)
2. Abra la guantera y quite el panel de la moldura en el lado derecho. (Figura B)
3. Desenganche y quite el panel del tablero de la moldura/rejilla. (Figura C)

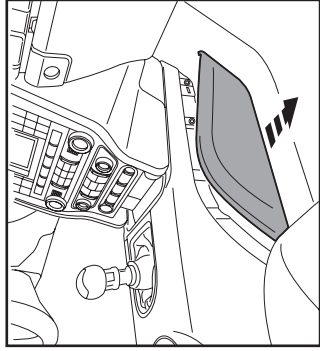
Continúa en la siguiente página



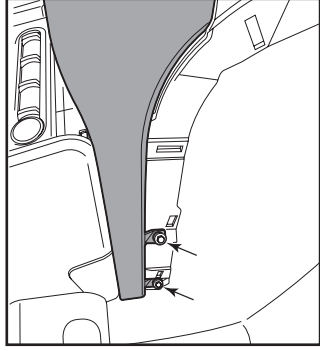
4. Quite la cubierta de la charola de caucho frente a la palanca de velocidades y luego quite los (2) tornillos de 9/32" que quedan a la vista. (Figura D)
5. Desenganche y quite los paneles laterales frontales de cada lado de la consola central. (Figura E)
6. Quite los (2) tornillos de 9/32" de cada lado de la consola central. (Figura F)



(Figura D)



(Figura E)



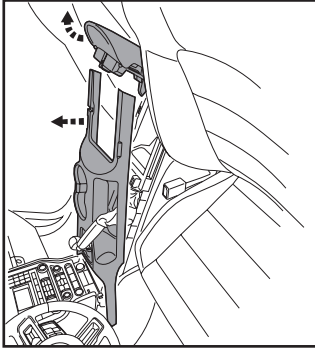
(Figura F)

Continúa en la siguiente página

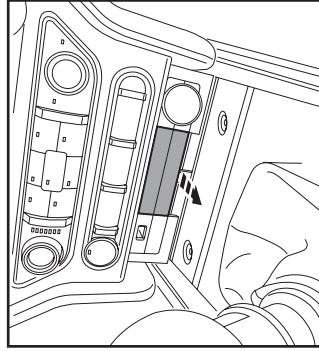
7. Desenganche el bisel de la moldura de la palanca de velocidades y júlela ligeramente hacia arriba para poder quitar la bisel central de la consola central.
8. Abra el compartimiento de almacenamiento de la consola central. Suelte el bisel de la consola central, luego deslícelo hacia la parte trasera del vehículo para retirarlo. (Figura G)

Nota: No es necesario quitar la consola central completa, pero si se desea quitar, el módulo **Push-to-Start** debe estar conectado al probar el kit.

9. Quite la charola de plástico de la parte frontal de la palanca de velocidades.
10. Quite la moldura de plástico del centro (panel) entre la salida de alimentación y el conector USB. (Figura H)



(Figura G)

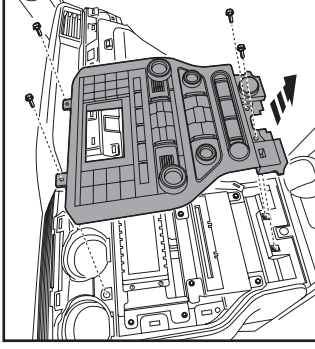


(Figura H)

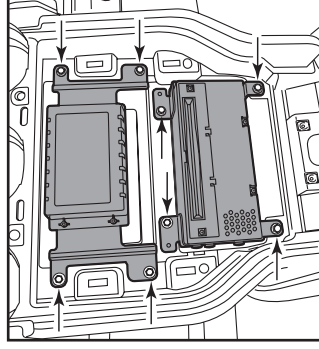
Asegúrese de que el vehículo esté completamente apagado antes de pasar a los siguientes (3) pasos:

11. Quite los (4) tornillos de 9/32" que sujetan el panel del radio/control del clima, y luego desenganche, desconecte y quite. (Figura I)
12. Quite los (4) tornillos de 9/32" que sujetan la pantalla, luego desconecte y quite. (Figura J)
13. Quite los (4) tornillos de 9/32" que sujetan el chasis del radio, luego desconecte y quite. (Figura J)
14. Si el vehículo está equipado con SYNC, quite los (3) tornillos de 9/32" que sujetan el módulo SYNC®, luego desconecte y quite.

Continuar la Preparación del Kit



(Figura I)

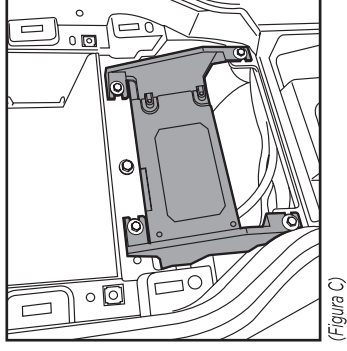
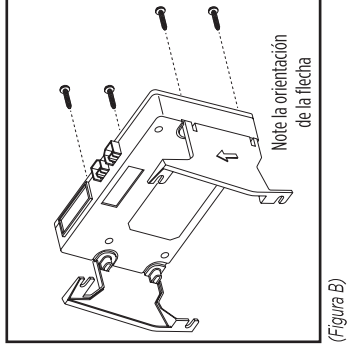
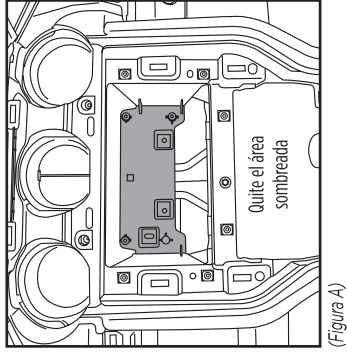


(Figura J)

1. Corte y quite el área sombreada del sub tablero para hacer espacio para el radio de mercado secundario. (Figura A)

Si se desea retener SYNC:

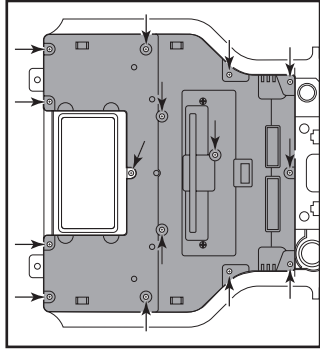
2. Sujete los soportes del módulo SYNC al módulo SYNC de fábrica usando los (4) tornillos Phillips #8 de 3/8" de cabeza troncoconica suministrados. (Figura B)
3. Vuelva a conectar todos los conectores de fábrica de vuelta al módulo SYNC y luego sujete el módulo en el sub tablero inferior, usando la herramienta de fábrica que quitó en el paso 1. (Figura C)



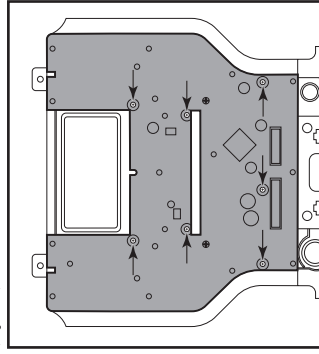
Continúa en la siguiente página

Del panel del radio/control del clima de fábrica:

1. Quite los (15) tornillos Torx T-10 sujetando la cubierta del panel de plástico a la parte trasera del panel y luego quite. (Figura A)
2. Quite los (7) tornillos Torx T-10 que sujetan el tablero de circuitos y luego quítelo. (Figura B)
3. Quite la membrana del botón de caucho de la parte trasera del panel del interruptor de encendido/apagado del motor. (Figura C)



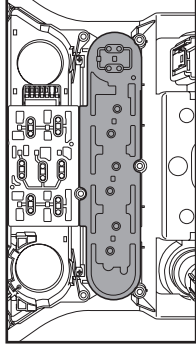
(Figura A)



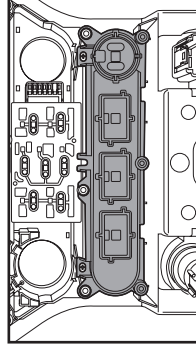
(Figura B)

4. Quite el panel del interruptor de encendido/apagado del motor. (Figura D)
5. Oprima hacia adentro en las (2) pestañas de retención dentro de la salida de alimentación y quite la porción interna, y luego suelte a presión el anillo exterior y cúbrirta. (Figura E)

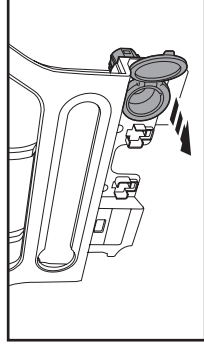
Continúa en la siguiente página



(Figura C)



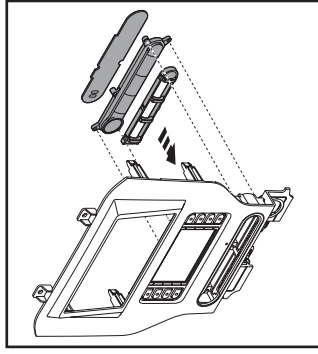
(Figura D)



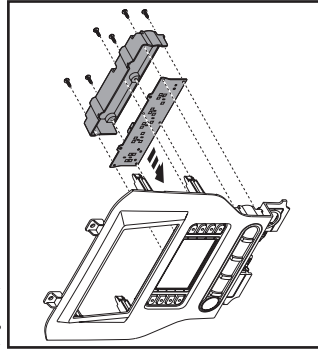
(Figura E)

Al panel de la moldura del radio 99-5838CH:

1. Una la moldura de encendido/apagado del motor, panel del interruptor de encendido/apagado del motor y luego la membrana del motor de caucho. (Figura A)
2. Sujete el tablero de circuitos de encendido/apagado del motor y cubierta al ensamble del interruptor/cubierta usando los (6) tornillos Phillips #4 de 1/2" de cabeza troncocónica suministrados. (Figura B)



(Figura A)

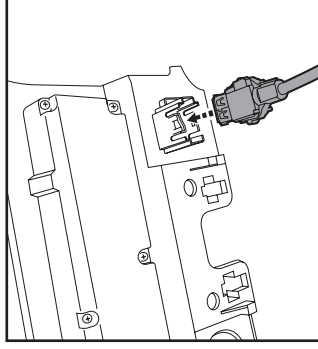


(Figura B)

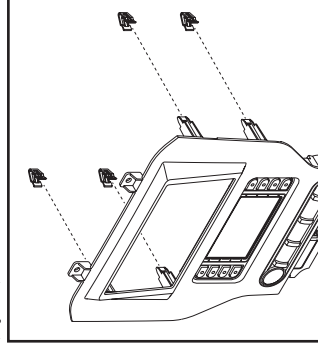
3. Inserte el cable USB en la ranura USB, por la parte trasera. (Figura C)

4. Conecte los (4) ganchos para panel suministrados. (Figura D)

Continúe con el *Ensamble del Kit*



(Figura C)

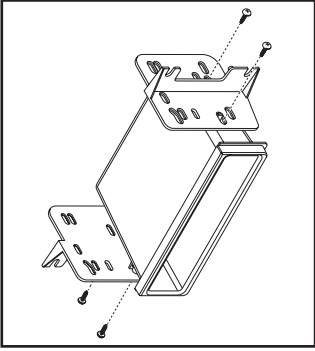


(Figura D)

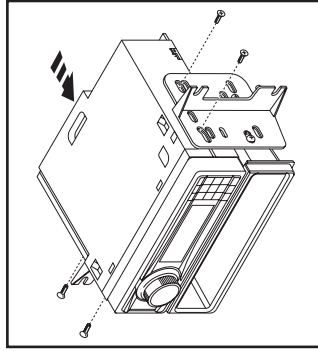
Provisión de radio ISO DIN con cavidad

1. Fije los **soportes de radio al bolsillo** utilizando los (4) tornillos Phillips # 8 x 3/8 "provisos. (Figura A)
2. Quite la manga de metal DIN y el anillo de moldura del radio de mercado secundario.
3. Deslice el radio hacia adentro del ensamble del soporte/cavidad y después sujételo usando los tornillos suministrados con el radio. (Figura B)

Continúe con la instalación de la Interfaz Axxess



(Figura A)

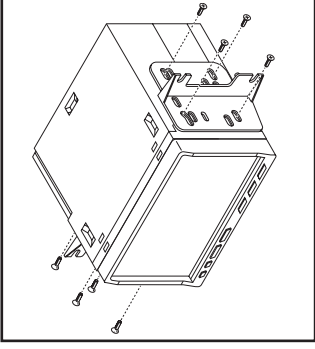


(Figura B)

Provisión de radio ISO DDIN

1. Fije los **soportes del radio** usando los tornillos que vienen con el radio. (Figura A)

Continúe con la instalación de la Interfaz Axxess



(Figura A)

INSTALACIÓN DE LA INTERFAZ AXCESS

- Provee corriente de accesorio (12 voltios 10 amperes)
- Retiene R.A.P. (corriente de accesorio retenida)
- Proporciona salidas de NAV (freno de mano, reversa, sensor de velocidad)
- Retiene los controles de audio en el volante
- Retiene SYNC
- Retiene la cámara de reversa de fábrica
- Retiene el balance y la intensidad
- Actualizable por micro-B USB

COMPONENTES DE LA INTERFAZ

- Interfaz Axcess (integrada a la pantalla táctil)
- Arnés 5838
- Interfaz HVAC
- Arnés de la interfaz HVAC
- Arnés de 16 pins con conectores pelados
- Arnés de cámara de reversa de 12 pins
- Arnés de 4 pins con conectores RCA amarillos
- Conector hembra de 3.5 mm con conectores pelados

INDICE

Conexiones.....	10-12
Instalación.....	12
Programación.....	13
Características adicionales (SYNC).....	13
Operación de la pantalla táctil.....	14-15
Configuración del control en el volante.....	16-17
Resolución de problemas.....	17

HERRAMIENTAS REQUERIDAS

- Herramienta de ponchadora y conectores, o pistola de soldadura, soldadura y termocontracción
- Cinta • Cortacables • Zip lazos

Del arnés de 16 pines con conectores pelados al radio de mercado secundario:

- Conecte el cable **rojo** al cable de accesorios.
- Si el radio de mercado secundario tiene un cable de iluminación, conecte a él el cable **anaranjado/blanco**.
- Si el radio de mercado secundario tiene cable de silencio y está equipado con SYNC, conecte el cable **marrón** a ella. Si el cable de silencio no está conectado, el radio se apagará cuando se activa SYNC.
- Conecte el cable **gris** con la salida positiva de la bocina derecha delantera.
- Conecte el cable **gris/negro** con la salida negativa de la bocina derecha delantera.
- Conecte el cable **blanco** con la salida positiva de la bocina izquierda delantera.
- Conecte el cable **blanco/negro** con la salida negativa de la bocina izquierda delantera.

Los siguientes (3) cables son únicamente para radios con multimedia/navegación que requieran estos cables.

- Conecte el cable **azul/rosado** al cable VSS/de detección de velocidad.
- Conecte el cable **verde/púrpura** al cable de reversa.
- Conecte el cable **verde** claro al cable de freno de mano.
- Coloque cinta e ignore los siguientes (5) cables; no se utilizarán en esta aplicación.

azul/blanco, verde, verde/negro, púrpura, púrpura/negro

Desde el arnés 5838 al radio de mercado secundario:

- Conecte el cable **negro** al cable de tierra.
- Conecte el cable **amarillo** al cable de la batería.
- Conecte el cable **azul** al cable de la antena de encendido.
- Conecte el cable **verde** con la salida positiva de la bocina izquierda trasera.
- Conecte el cable **verde/negro** con la salida negativa de la bocina izquierda trasera.
- Conecte el cable **púrpura** con la salida positiva de la bocina derecha trasera.
- Conecte el cable **púrpura/negro** con la salida negativa de la bocina derecha trasera.
- Si el vehículo está equipado con SYNC, conecte los conectores RCA **rojo** y **blanco** rotulados "RSE/SYNC/SAI" a los conectores de audio AUX-IN del radio de mercado secundario.
- Ignore los conectores RCA **rojo** y **blanco** rotulados "FROM 3.5"; no se utilizarán en esta aplicación.

Continúa en la siguiente página

La retención del control en volante con conector de 3.5 mm

El conector de 3.5 mm se debe usar para retener los controles de audio en el control del volante.

- Para los siguientes radios, conecte el conector hembra de 3.5 mm con conectores pelados en el conector macho SWC de 3.5 mm del arnés 5838. Cualquier cable restante debe cubrirse con cinta e ignorarse.
 - **Eclipse:** Conecte el cable del control en el volante, normalmente **marrón**, al cable del conector **marrón/blanco**. Después conecte el cable del control en el volante, normalmente **marrón/blanco**, al cable del conector **marrón**.
 - **Equipo original Metra:** Conecte el cable (Key 1 **gris**) del control en el volante al cable **marrón**.
 - **Kenwood** o seleccione JVC con un cable de control en el volante: Conecte el cable **azul/amarillo** al cable **marrón**.

Nota: Si su radio **Kenwood** se detecta automáticamente como un **JVC**, ajuste manualmente el tipo de radio como **Kenwood**. Vea las instrucciones a continuación para cambiar el tipo de radio.

- **XITE:** Conecte el cable SWC-2 del control en el volante del radio al cable **marrón**.
- **Parrot Asteroid Smart o Tablet:** Conecte el conector de 3.5 mm al AX-SWC-PARROT (se vende por separado) y después conecte el conector de 4 pins del AX-SWC-PARROT al radio.
- **Nota:** El radio debe estar actualizado a la versión de software 2.1.4 o posterior.
- **Radio universal de "2 o 3 cables":** Conecte el cable del control en el volante, conocido como Key-A o SWC-1, al cable del conector **marrón**. Después conecte el cable restante del control en el volante, conocido como Key-B o SWC-2, al cable **marrón/blanco** del conector. Si el radio llega con un tercer cable para hacer tierra, ignore este cable.

Nota: Después de haber programado la interfaz al vehículo, haga referencia al manual provisto con el radio para asignar los botones SWC. Contacte al fabricante del radio para mayor información.

- **Para todos los demás radios:** Conecte el conector de 3.5 mm dentro del puerto en el radio designado para una interfaz externa de control en el volante. Haga referencia al manual provisto con el radio si tiene duda de dónde va el conector de 3.5 mm.

Arnés de cámara de reversa de 12 pins:

Existen dos métodos distintos para conectar la cámara de reversa de fábrica.

Si se desea retener la cámara al radio de mercado secundario:

- Conecte el conector **RCA amarillo** a la entrada de la cámara de reversa del radio de mercado secundario.

Si se desea retener la cámara a la pantalla táctil:

- Conecte el conector **RCA amarillo** al conector **RCA amarillo** del arnés de 4 pins con conectores **RCA amarillos rotulados "Rearview camera"**.

Nota: Si se elige este método, la opción de cámara de reversa debe estar habilitada en la *Pantalla de configuración*.

Arnés de 4 pins con conectores RCA amarillos:

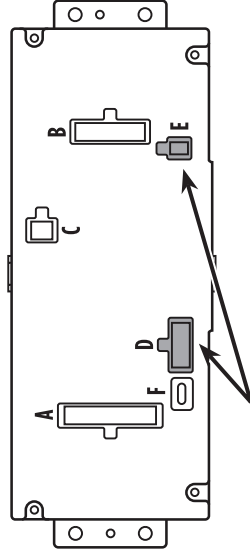
- Si se desea retener la cámara de reversa de fábrica a la pantalla táctil, conecte el conector **RCA amarillo** rotulado "Rearview camera" al conector **RCA amarillo** del arnés de cámara de reversa de 12 pins.
- Ignore el conector **RCA amarillo** rotulado "AUX video"; no se utilizará en esta aplicación.

Se recomienda de gran manera que lea antes los siguientes pasos para asegurar que entienda bien lo que se espera. Los siguientes pasos deben seguirse en el orden en que están numerados.

Con el vehículo completamente apagado:

Pantalla táctil

1. Conecte el **arnés de 16 pins** con conectores **pelados** en el puerto "B" en la pantalla táctil.
2. Conecte el **arnés 5838** a los arneses del cableado en el vehículo. Estos arneses son los que se retiran del paso 13 en el desmontaje del tablero. Después inserte el arnés 5838 en el puerto "A" en la pantalla táctil. Pero no instale este arnés hasta que llegue justo antes del paso 1 de "Programación". Este es un proceso programado.
3. Conecte el **arnés de 4 pins** con conectores **RCA amarillos** en el puerto "C" en la pantalla táctil.
4. Ignore los puertos "D" y "E"; no se utilizarán en esta aplicación.
5. El puerto "F" es un puerto de actualización para actualizaciones de firmware futuras.



Nota: NO SE CONECTA!

Interfaz HVAC

6. Conecte el **arnés de la interfaz HVAC** en la interfaz HVAC y luego a los arneses de cableado en el vehículo. Estos arneses son los que se retiran del paso 11 en el desmontaje del tablero.
 - a. Después conecte el arnés de 10 pins dentro del ensamble del tablero de **circuítos de encendido/apagado del motor**.
- ¡Atención!** Existen (2) conectores de 10 pins; uno en el ensamble del tablero de circuito de encendido/apagado del motor, y uno en la pantalla táctil. Use únicamente el conector apropiado e ignore el otro. Si se usa accidentalmente el puerto incorrecto, el vehículo deberá restablecerse quitando la batería durante unos minutos.

Nota: Ignore el arnés de 4 pins planos a 4 pins apliados; no se utilizará en esta aplicación.

7. Conecte el arnés de 6 pins del arnés 5838 en la interfaz HVAC.
8. Conecte el **arnés de la cámara de reversa de 12 pins** al arnés del cableado en el vehículo. Este arnés es el que se retira del paso 12 en el desmontaje del tablero.
9. Localice el conector de la antena de fábrica en el tablero y realice todas las conexiones necesarias al radio. Metra recomienda el uso de un adaptador adecuado de acoplamiento de Metra.

¡Atención! Si la interfaz pierde la alimentación por cualquier motivo, deberá realizar los siguientes pasos de nuevo.

1. Haga referencia al paso 2 de "Instalación".
2. Oprima el botón para encender el vehículo.
3. Programar el kit:

- a. Tan pronto como se cargue la pantalla táctil, seleccione el tipo de vehículo; "Ford Mustang 2015 y más".
- b. Espere a que se encienda el radio y la pantalla táctil muestre "SWC Configured". Este proceso puede requerir hasta 3 minutos.

Nota: Si la pantalla táctil no se carga o el radio no se enciende en los siguientes 3 minutos, y/o la pantalla táctil no muestra "SWC Configured", apague el vehículo y desconecte los arneses 5838 del puerto "A" en la pantalla táctil. Revise todas las conexiones, vuelva a conectar el arnés a la pantalla táctil e inténtelo de nuevo.

4. Apague la llave y vuelva a encenderla. Si la puerta del conductor está cerrada, abra y cierre la puerta.
5. Pruebe todas las funciones de la instalación para verificar la operación correcta antes de volver a ensamblar el tablero.

1. Conecte el cable USB unido al panel de la moldura del radio con la pantalla táctil al puerto USB en la parte trasera del radio, en su caso.
2. Sujete el ensamblaje terminado en el tablero superior con la herramienta de fábrica que quitó en el paso 12 del desmontaje del tablero.
3. Coloque a presión el panel de la moldura del radio con la pantalla táctil sobre el ensamble completo y luego vuelva a armar el tablero al revés de cómo lo desarmó.

CARACTERÍSTICAS ADICIONALES

SYNC:

Si el vehículo está equipado con SYNC, el 99-5838CH puede conservar esta función.

1. Cambie la fuente del radio a AUX-IN.
2. Oprima el botón "Info" en la pantalla táctil para ingresar al menú SYNC.
3. Oprima el botón "HVAC" para regresar al Menú principal.

Pantalla de control HVAC

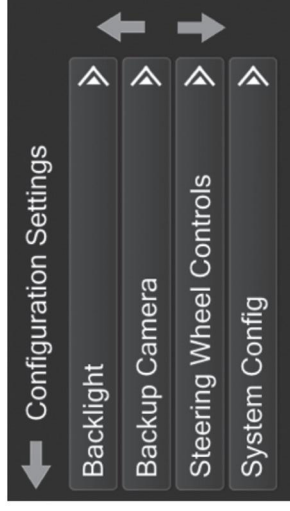


- Esta es la pantalla de control HVAC que se mostrará en la pantalla táctil. Esto se considera como la pantalla principal.
- Ignore la pestaña superior izquierda con (3) flechas; no se utilizará en esta aplicación.
- La etiqueta superior derecha con el icono de engrane lo llevará a la pantalla de **Configuraciones**.
- Los controles del clima funcionarán del mismo modo que con los controles del clima de fábrica, solo que con botones en la pantalla táctil. El control de temperatura mostrará una escala numérica, siendo "LO" en más frío y "HI" el más caliente: LO / 1-9 / HI

Nota: El botón "Info" solo se mostrará si debe retenerse SYNC.

Continúa en la siguiente página

Pantalla de Configuraciones



- **Controles en el volante**
 - Botones de reubicación: para reubicar los botones del control en el volante
 - Doble asignación: para doble asignación de los botones de control en el volante (presionar el botón por largo tiempo)
 - Selección radio: para detectar automáticamente el radio o cambiar el tipo de radio
- **Configuración del sistema**
 - Acerca de - Información sobre el software en el kit
 - Unidad de temperatura - Para cambiar entre Celsius y Fahrenheit
 - Restablecer el tipo de vehículo - Para restablecer el kit a la configuración predefinida

- **Luz posterior**
 - Cuatro barras deslizantes controlan el color de los botones y la intensidad de la luz posterior: Luz posterior roja/verde/azul
- **Cámara trasera**
 - Habilitar: habilita la imagen en la cámara de reversa en la pantalla táctil
 - Inhabilitar: inhabilita la imagen en la cámara de reversa en la pantalla táctil (estándar)

Pantalla para reubicar el botón



- La interfaz tiene la capacidad de cambiar la asignación de botón para los botones de audio del control en el volante, excepto para Subir volumen y Bajar volumen. Siga las indicaciones en la pantalla táctil para reubicar el(los) botón(es) de audio del control en el volante a su gusto.

Nota: El radio de mercado secundario puede no tener todos estos comandos. Consulte el manual del suministrado con el radio o comuníquese con el fabricante del radio para obtener los comandos específicos reconocidos por ese radio en particular.

Pantalla de doble asignación

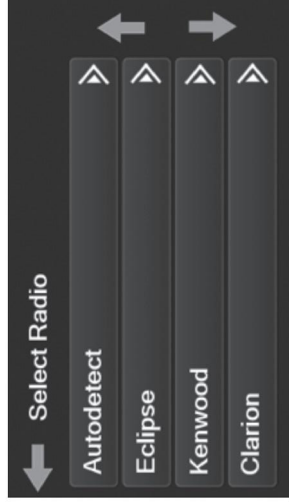


- La interfaz tiene la capacidad de asignar dos funciones a un solo botón, excepto Subir volumen y Bajar volumen. Siga las indicaciones en la pantalla táctil para programar el(los) botón(es) a su gusto.

Nota: Buscar anterior y Buscar siguiente vienen programados como Subir preestablecido y Bajar preestablecido cuando se presiona el botón por largo tiempo.

Continúa en la siguiente página

Seleccionar la pantalla del radio



- Para mostrar qué marca de radio se “detecta automáticamente” a la interfaz, oprima el botón “Autodetect”. El radio detectado tendrá un círculo relleno. Si se muestra el radio incorrecto, seleccione el radio correcto.
- Después se ve una lista de fabricantes de radio que la interfaz reconoce en ese momento. Otros pueden agregarse en una fecha posterior. Los radios universales de “2 o 3 cables” pueden mostrarse como cualquiera de estos fabricantes de radio.

Eclipse (Tipo 1) †	Pioneer/Jensen	Clarion (Tipo 2) †	Parrot **
Kenwood †	Alpine *	Metra OE	XITE
Clarion (Tipo 1) †	Visteon	Eclipse (Tipo 2) †	Philips
Sony / Dual	Valor	LG	JBL

* **Nota:** Si la interfaz muestra un radio Alpine y no tiene un radio Alpine, eso significa que la interfaz no detecta un radio conectado a él; es decir, una conexión abierta. Verifique que el conector de 3.5 mm esté conectado al conector/cable correcto del volante en el radio.

** **Nota:** Se requiere el AX-SWC-PARROT (se vende por separado). Además, el radio Parrot debe estar actualizado a la versión de software 2.1.4 o posterior mediante www.parrot.com.

† **Nota:** Si tiene un radio Clarion y los controles en el volante no funcionan, cambie el tipo de radio al otro tipo de radio Clarion; haga lo mismo con Eclipse.

‡ **Nota:** Si tiene un radio Kenwood y la pantalla táctil muestra un radio JVC, cambie el tipo de radio a Kenwood.

RESOLUCIÓN DE PROBLEMAS

Resolución de problemas

1. Con el vehículo en funcionamiento, presione el botón “Restablecer tipo de vehículo” mencionado en “Configuración del sistema”.
2. Consulte “Programación”, paso 2, desde este punto.



Handwriting practice lines consisting of two columns of horizontal lines.



Blank lined area for writing, consisting of two columns of horizontal lines.



Si tiene dificultades con la instalación de este producto, comuníquese con nuestra línea de soporte técnico, ya sea por teléfono al **1-800-253-TECH**, o envíe un correo electrónico a **techsupport@metra-autosound.com**. Antes de hacerlo, revise el folleto de instrucciones por segunda vez y asegúrese de que la instalación se realizó exactamente como se indica en el manual de instrucciones. Tenga el vehículo separado y listo para realizar los pasos de solución de problemas antes de ponerse en contacto con el soporte técnico de Metra / Axxess.



EL CONOCIMIENTO ES PODER

Mejore sus habilidades de instalación y fabricación inscribiéndose en la escuela de dispositivos electrónicos móviles más reconocida y respetada de nuestra industria. Regístrese en www.installerinstitute.com o llame al 800-354-6782 para obtener más información y avance hacia un futuro mejor.



Metra recomienda técnicos con certificación del Programa de Certificación en Electrónica Móvil (Mobile Electronics Certification Program, MECP).